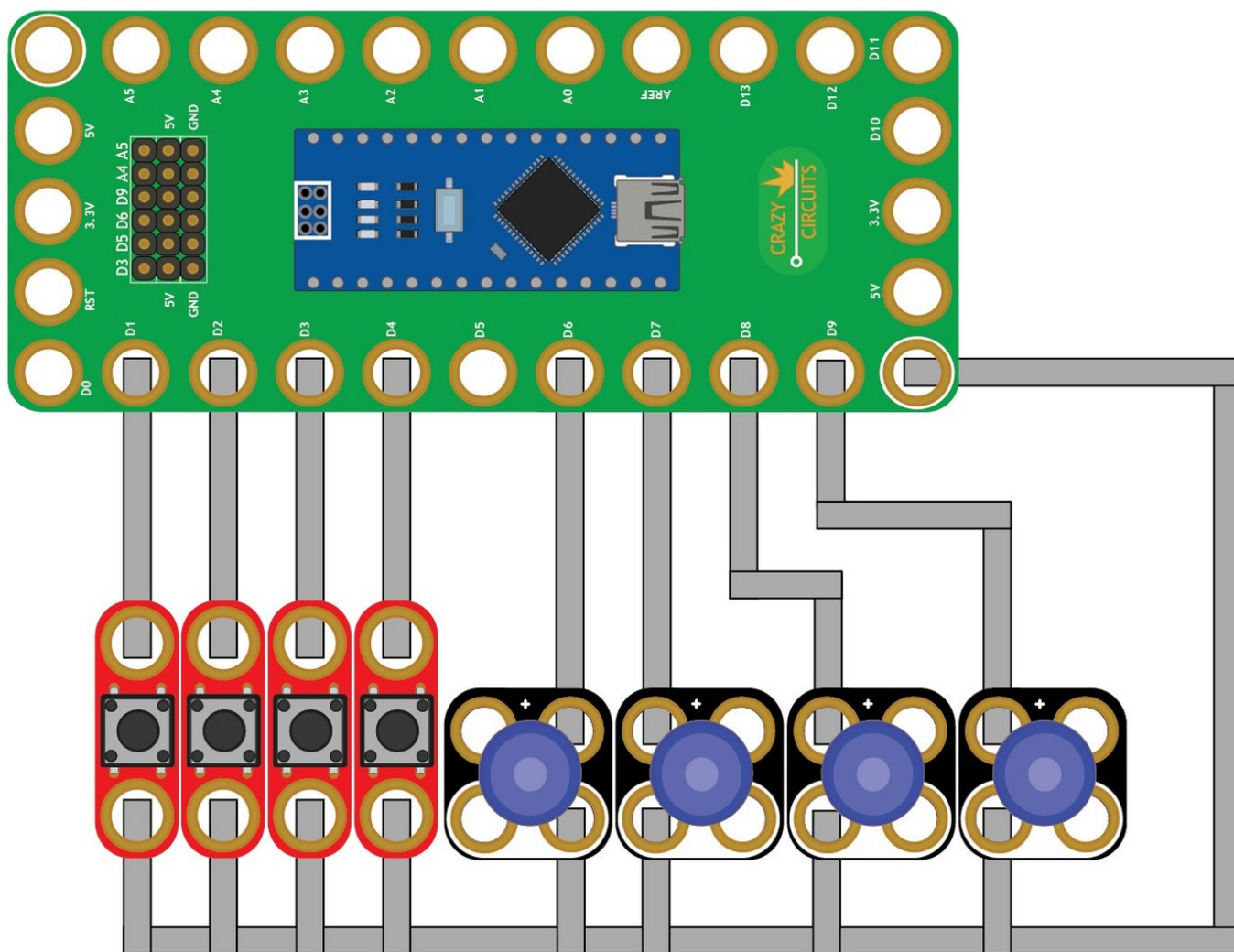




02 - 4 Pushbuttons with 4 LEDs

Use our Programming 101 kit to control 4 LEDs with 4 pushbuttons.

Written By: Pete Prodoehl



INTRODUCTION

Use our Robotics Board to control control 4 LEDs with 4 pushbuttons.



TOOLS:

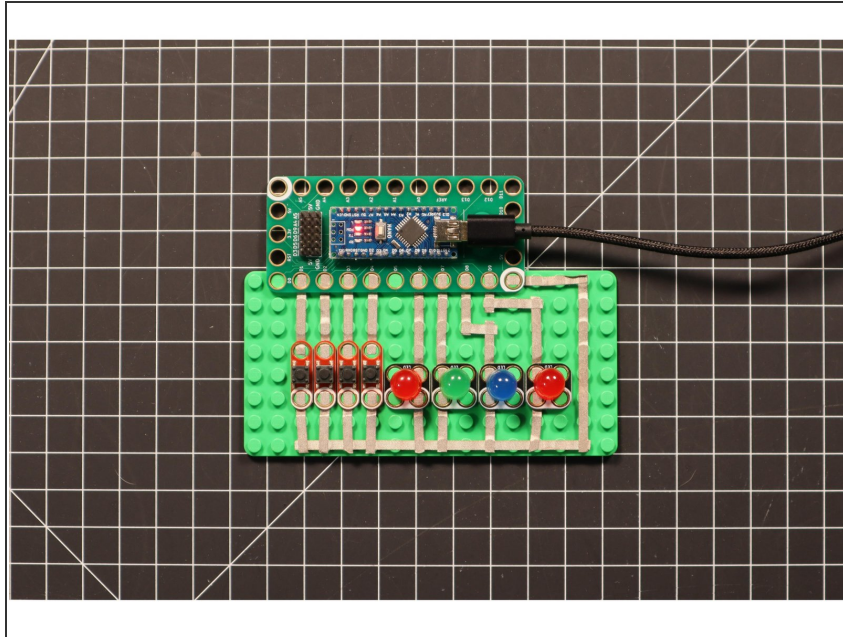
- [Scissors](#) (1)
- [Computer](#) (1)



PARTS:

- [Crazy Circuits Robotics Board](#) (1)
- [Standard Pushbutton Chip](#) (4)
- [Jumbo 10mm Diffused LED](#) (1)
- [Maker Tape 1/8th inch](#) (1)

Step 1 — Build the Circuit



- Build the circuit as shown in the diagram using the components specified.

Step 2 — Upload the Code



- Upload the Arduino sketch to the Robotics Board.
- You can find the code here: <https://github.com/BrownDogGadgets/Crazy...>