



Zip Tie Practice

This guide demonstrates how to use vise-grip to properly tighten zip ties. We'll be tying a lot of zip ties throughout the build.

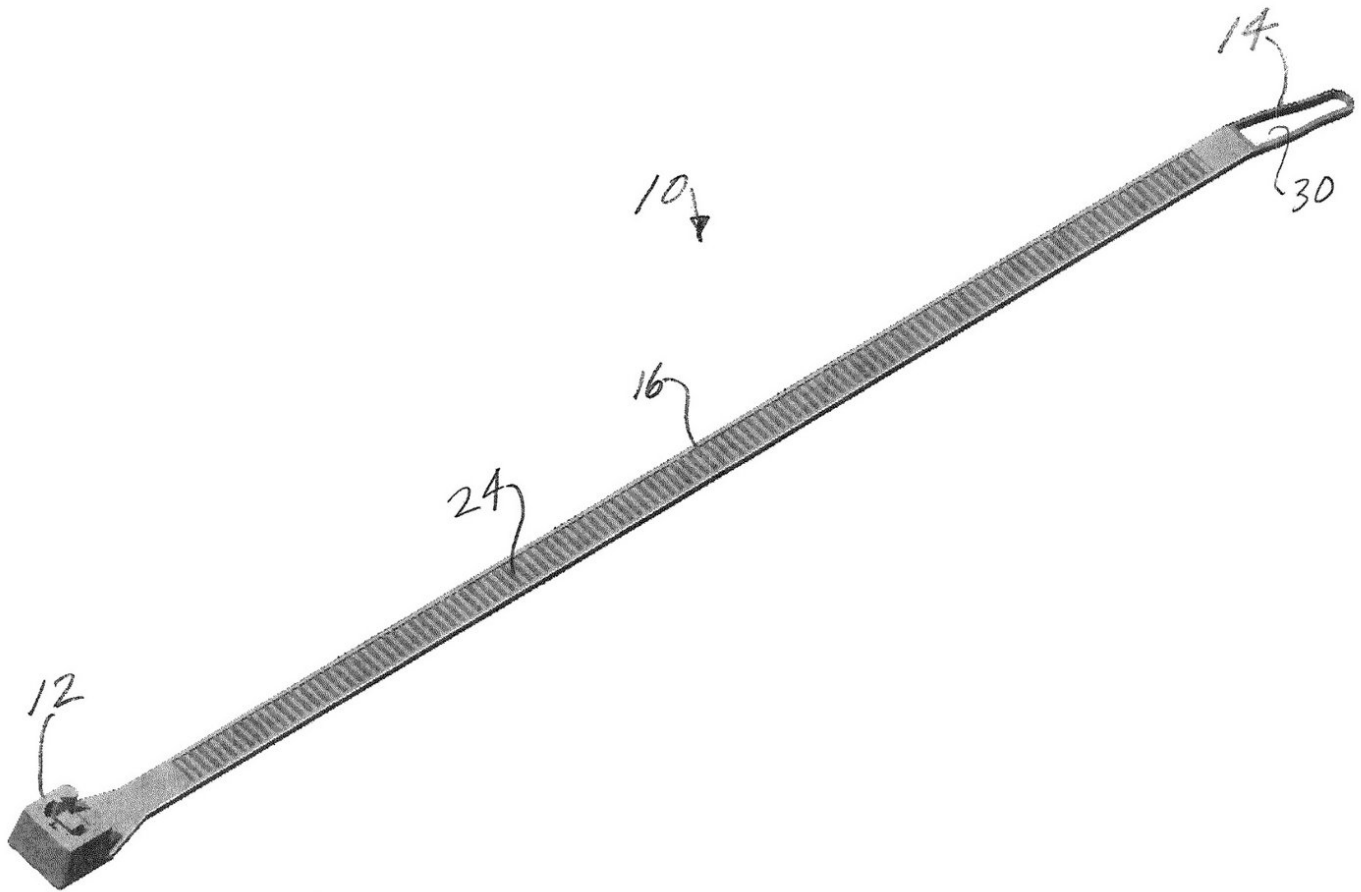


Fig. 1

INTRODUCTION

[video: <https://www.youtube.com/watch?v=7AQcJvwodYU>]

Step 1 — Zip tie = cable tie = tie wrap

- All these terms are equivalent. Same thing. We use "zip tie" at IMADE3D.
- If you have a Zip Tie Gun, we COMPLETELY recommend using it to speed up your build, however, Vise-grip can get zip ties tighter. (Basic zip tie gun costs less than \$20 in the US) Rule of thumb: use vise grip for X-bearings and all smooth rods. Use zip tie gun for other things as desired.