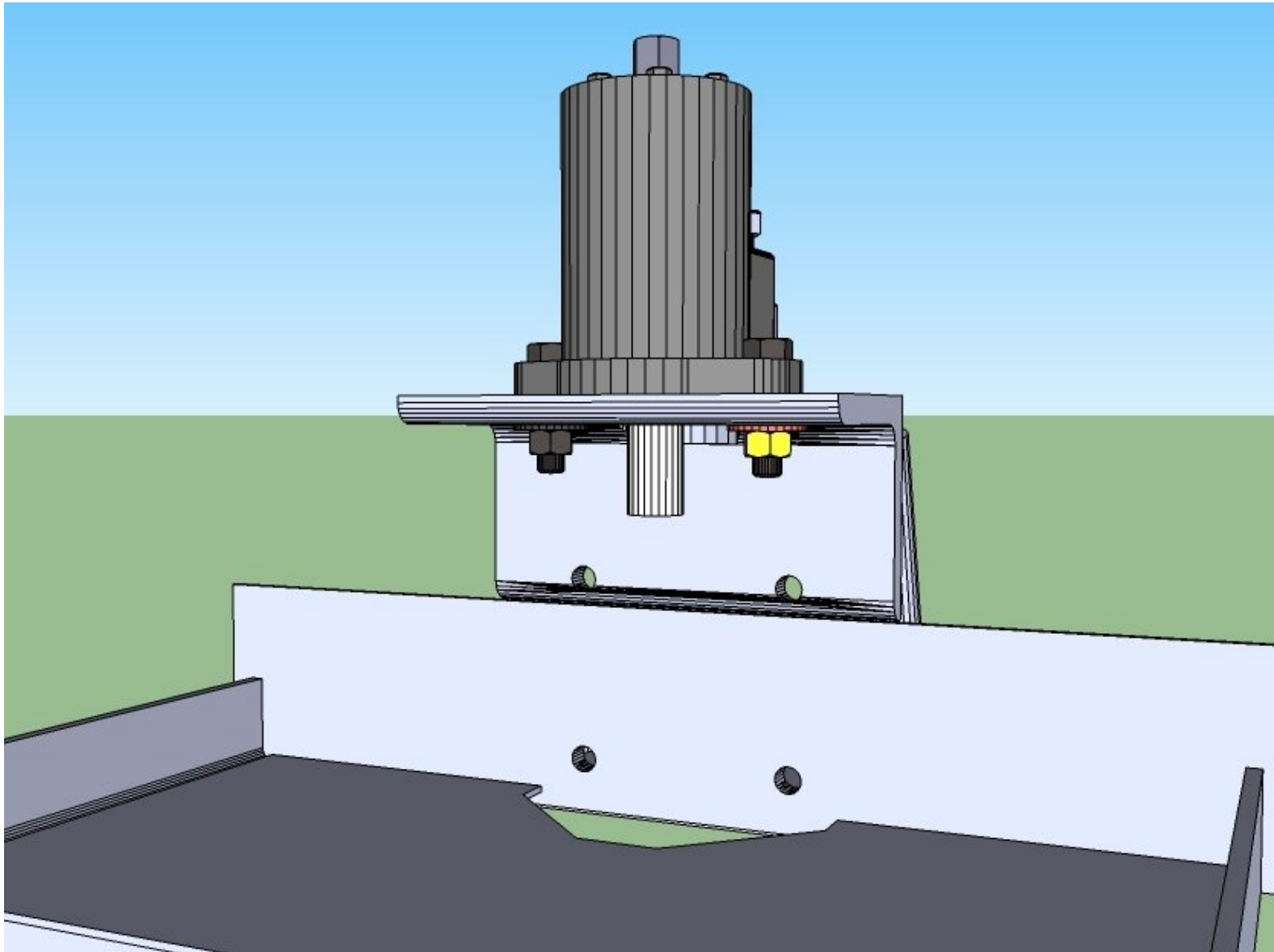




# CEB Shaker Assembly

Written By: Dozuki System



## INTRODUCTION

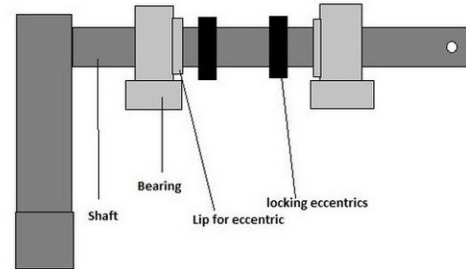
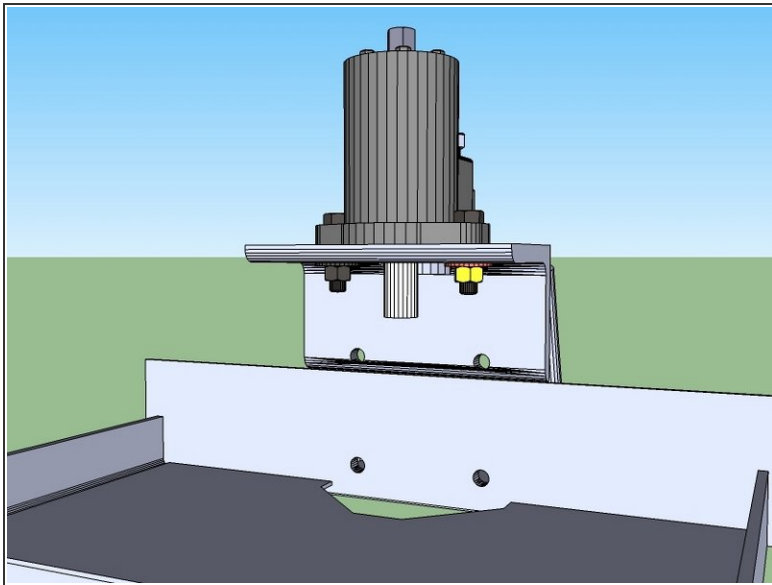
[Sketchup Model](#) Additional Materials Required: \* Shaker Mount \* Shaker Motor \* Shaker Hammer and coupler \* 1" Pillow Block Bearings (2) \* 1/4"x2" Bolt (1) \* 3/8"x2" Bolts (4) \* 1/2"x2" Bolts (2) \* 3/8" Lock Nuts (4) \* 1/2" Lock Nuts (2) \* 3/8" Washers (8) \* 3/8" Lock Washers (4) \* 1/2" Washers (4) \* 1/2" Lock Washers (4)

---

### TOOLS:

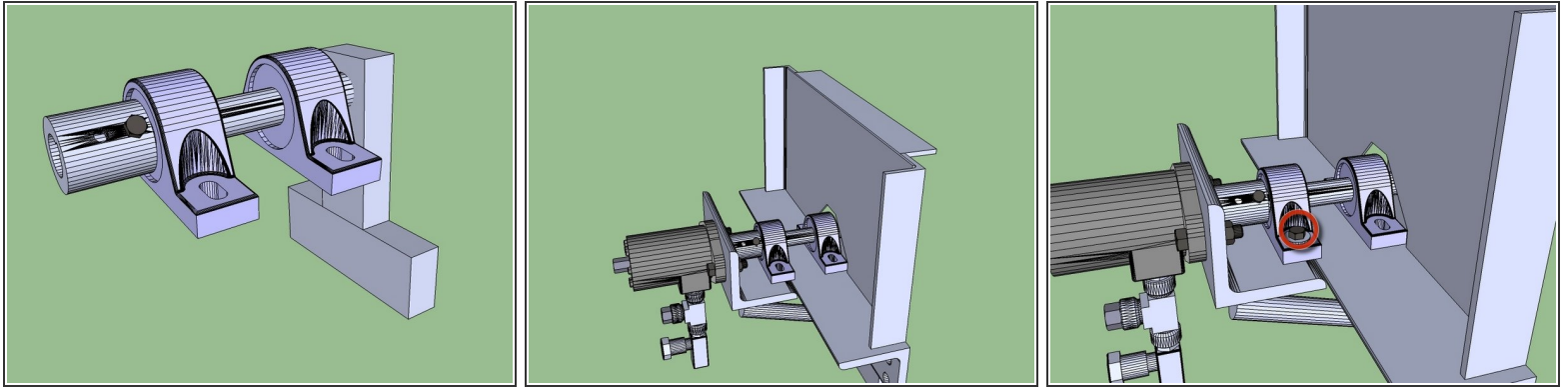
- [Allen wrench](#) (1)
  - [various wrenches](#) (1)
-

## Step 1 — CEB Shaker Assembly



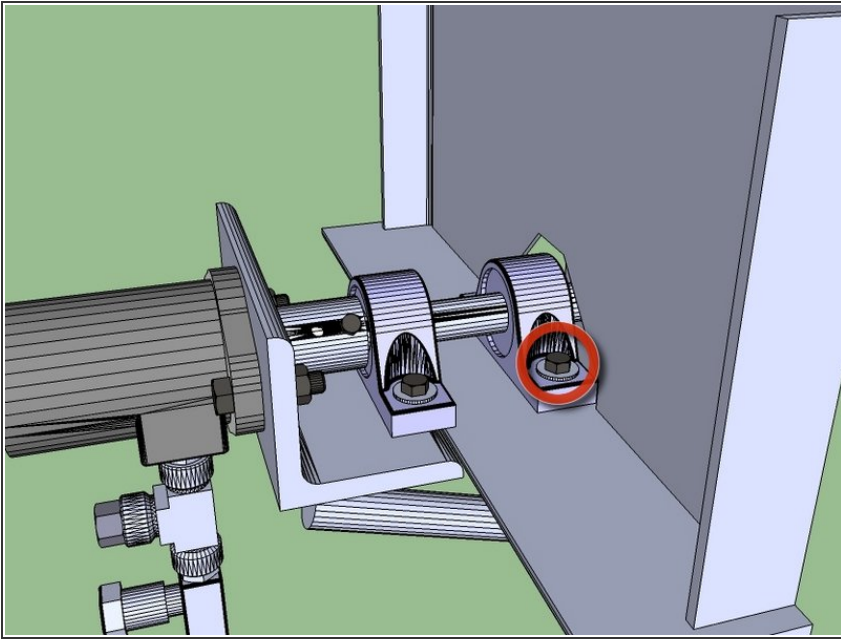
- Loosely bolt the assembled motor to the mount, as shown, using washers on both sides, and a lock washer touching the nut.
- Put the bearings onto the shaft, ensuring that the eccentric side is facing inwards.
  - Remember to put the eccentrics in between the two bearings.
- ⓘ The eccentrics are little collars with lopsided circles inside of them. This makes it so they can lock into the bearings.
- Ensure that both collars are facing the right direction (so they will lock onto the lip) and that the bearings are also.

## Step 2



- Put the coupler onto the shaft.
  - Make sure you can see thru the holes (it could be off 180 degrees and a little crooked), then put on the bolt, lock washer, and lock nut. Tighten.
- Couple it to the motor, tightening down the set screw.
- Tighten the motor mount bolts.
- Bolt the bearing closest to the motor to the mount with a washer, a lock washer, and a lock nut. Tighten these down.

### Step 3



- Ensure that the hammer rotates freely still.
- It may require some force, but shouldn't need much.
- If the hammer won't rotate, loosen the motor mount bolts, retighten them, and recheck it.
- Position the other bearing and tighten it down, still ensuring that it will rotate without much force.
- Lock the eccentrics by pushing them towards the lip on the bearing and twisting it.
- Tighten the set screw on the eccentrics.