

Rat Rig

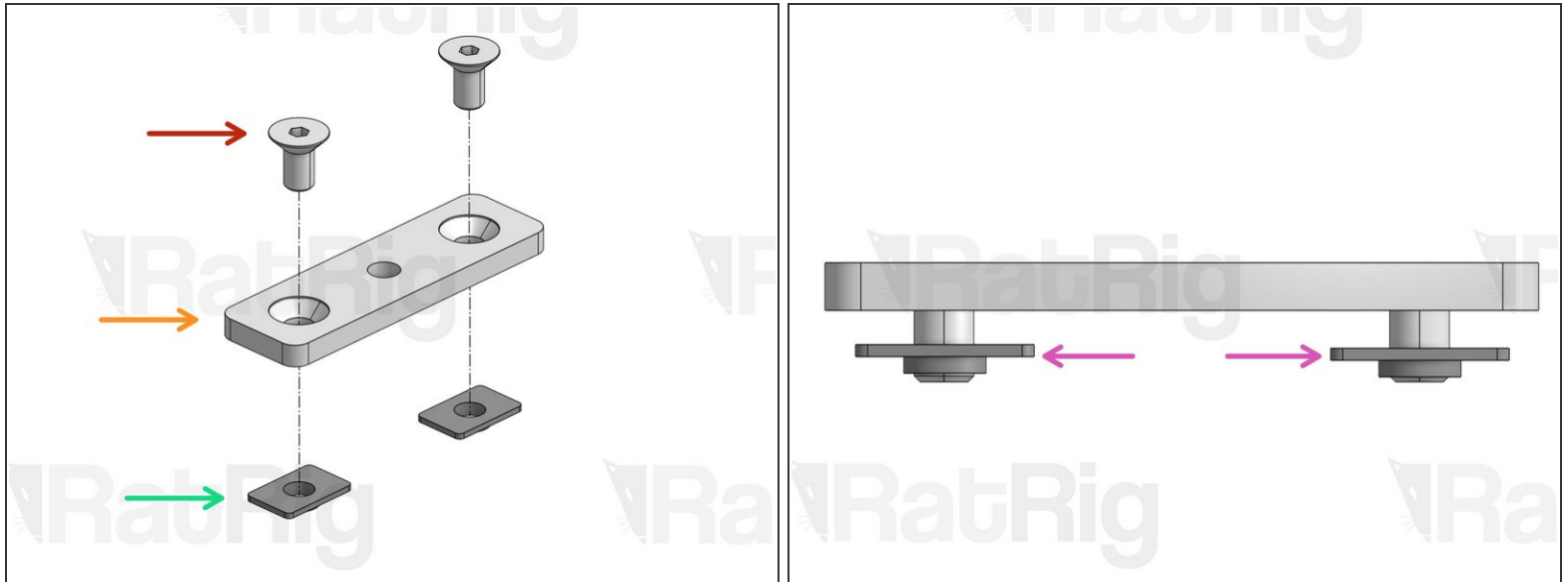
V-Slider Mini DIY

Assemble and tune your V-Slider Mini DIY

Written By: Rat Rig

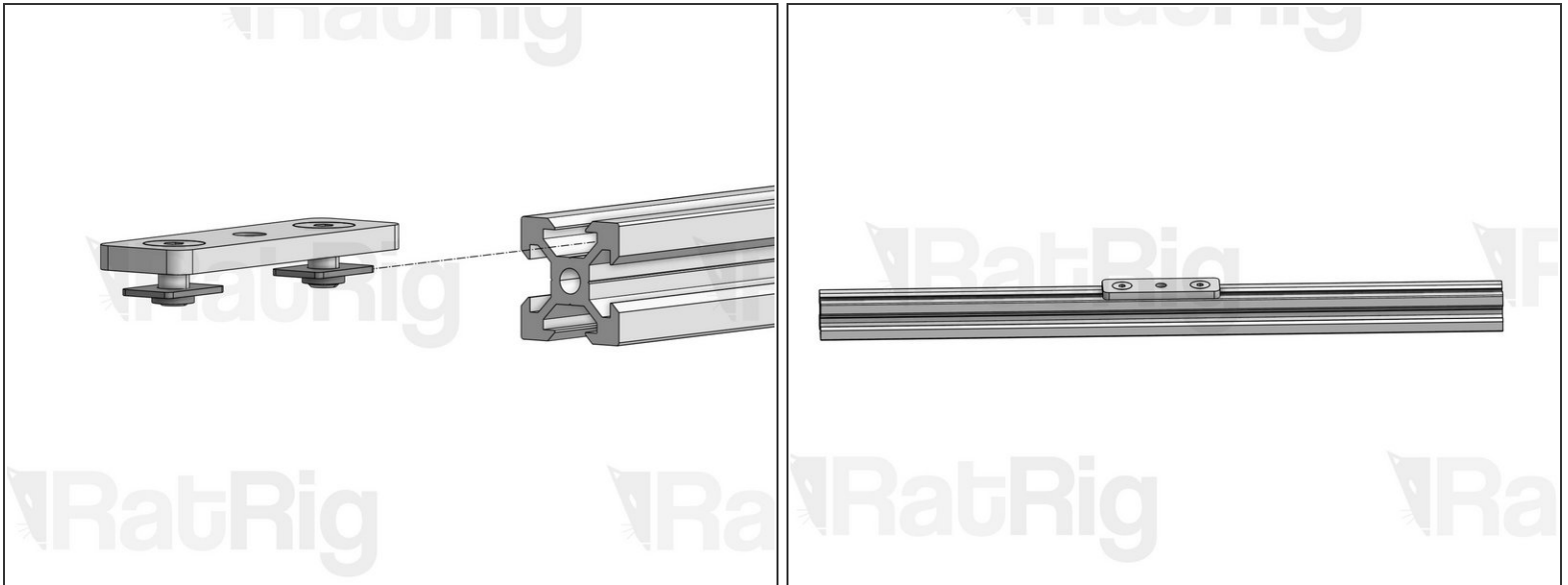


Step 1 — Set up Tripod Mounting Plate



- Countersink Screw M5x10mm
- V-Slider Mini Tripod Plate
- T-Nut M5
- Set T-Nuts in position, but don't tighten.

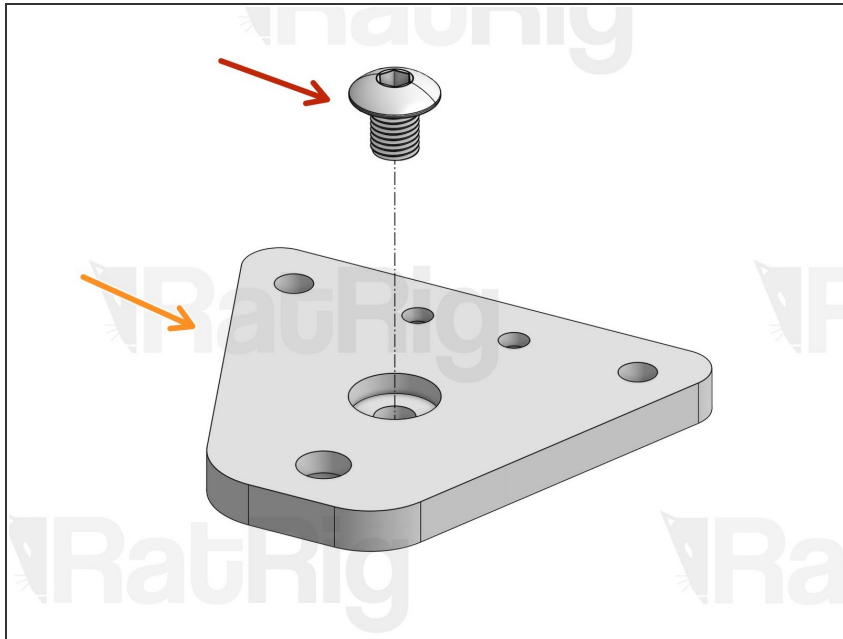
Step 2 — Mounting Tripod Plate



- Slide the T-Nuts inside the profile slot.
- Find the middle position for the plate. You want it to be at the exact center.
- Make sure the plate is aligned with the profile and tighten the screws to lock it in place.

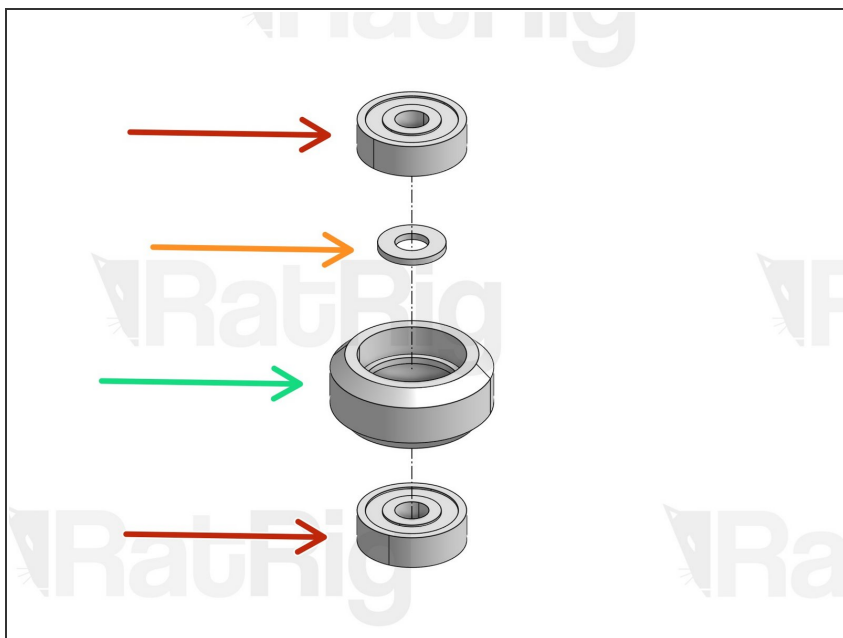
⚠ CAUTION: Do not overtighten the screws, this may deform the rail.

Step 3 — Mount Carriage Screw



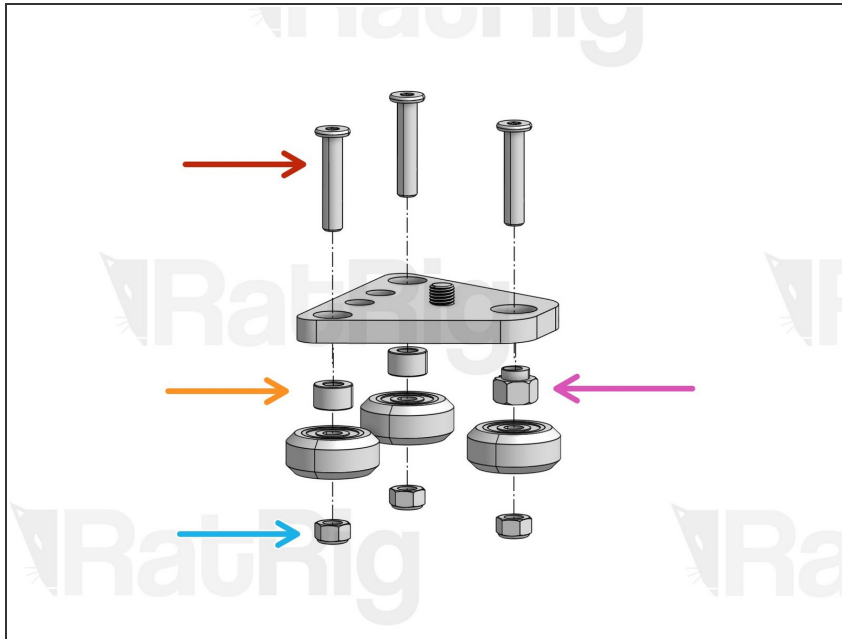
- V-Slider Carriage Screw 1/4". You want this screw to be as tight as possible. Use a power tool if you have one. If not, use a L shaped key with a long arm so you can leverage the force you're applying.
- V-Slider Mini Carriage Plate

Step 4 — Assemble Wheels (x3)



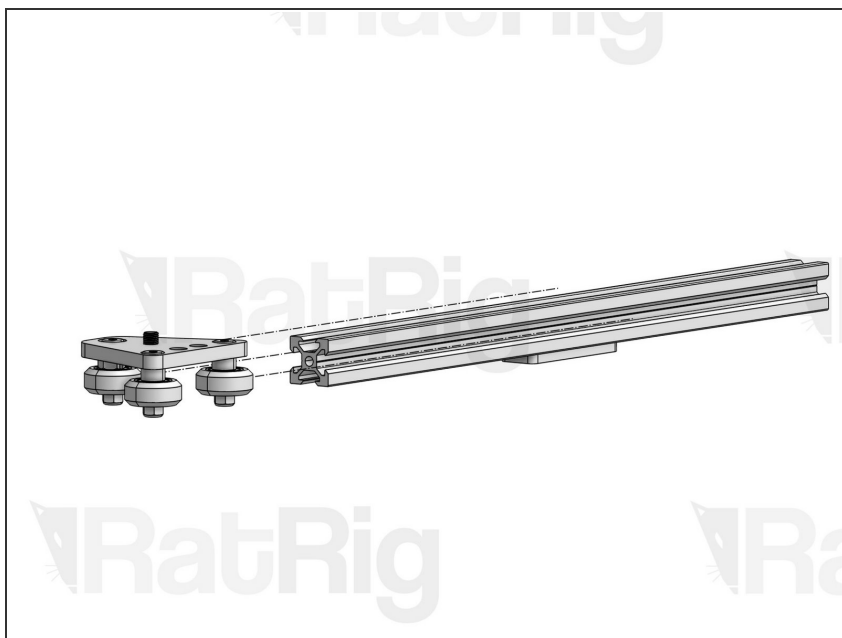
- ① Repeat this step for all 3 wheels
- Ball Bearing
- Mini Precision Shim - 8 x 5 x 1mm. Align it with the center of the bearing.
- Wheel

Step 5 — Assemble Carriage



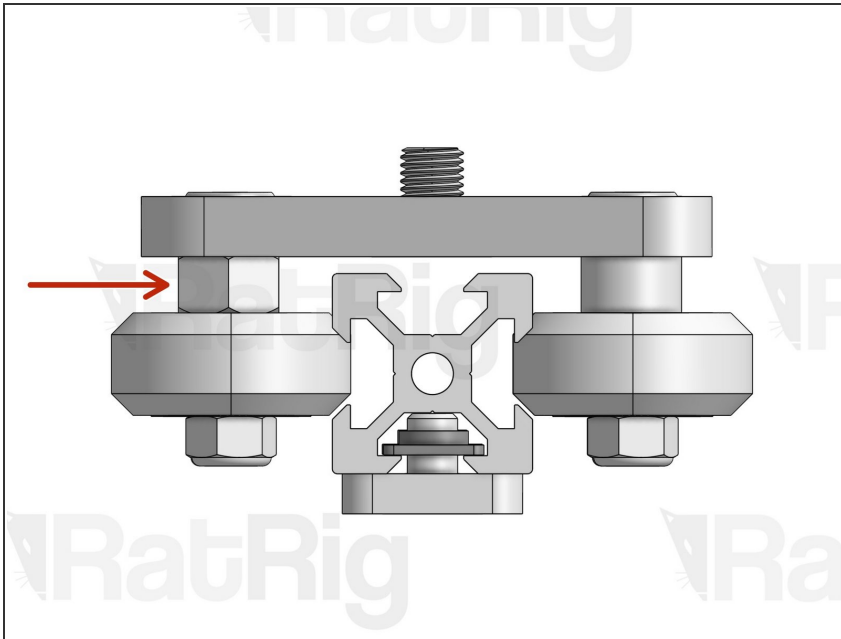
- Button Head Screw M5x25mm
- Spacer 6mm
- Eccentric Spacer 6mm
- ⚠ **CAUTION:** pay attention to the specific position of this spacer.
- Hex Locking Nut M5 - tighten down until the screw can't wiggle, but not all the way down - you will need some room for adjustment in a bit.

Step 6 — Slide Carriage on profile



- Slide the carriage on your profile.
- ⚠ **CAUTION:** Note the specific orientation of the carriage.

Step 7 — Tune Carriage



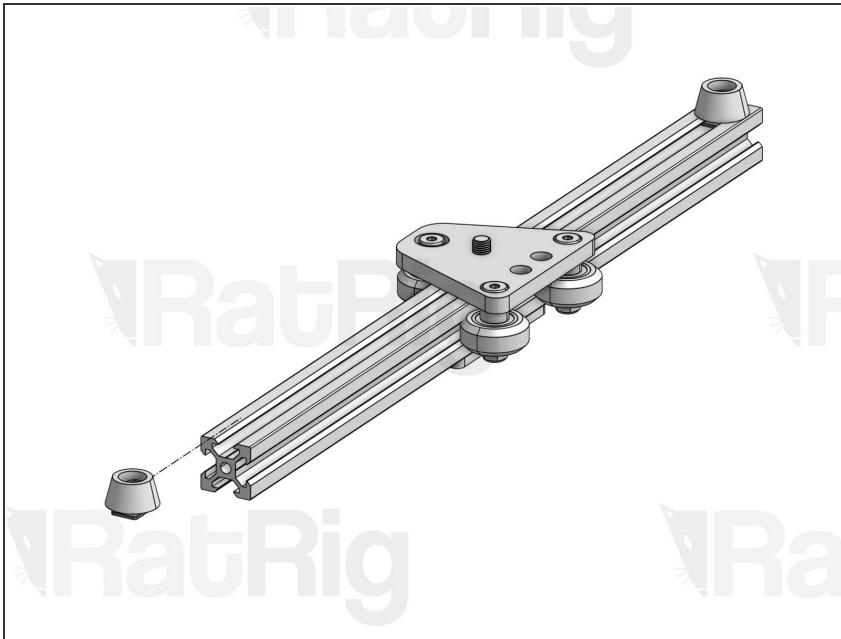
- Use a spanner/wrench to very subtly turn the eccentric spacer. This will tune the distance between wheel and rail.
- You want to find a sweet spot where your carriage is not wobbly and the motion is perfectly smooth, but where there isn't excessive force pressing the wheels against the rail, as this will increase wear on the wheels.
- When your carriage is tuned, you should still be able to turn each wheel with your finger without having to apply force.
- Try to twist your carriage. If you find some wiggle room, your carriage is not properly tuned.
- After tuning is complete, give one final tightening on the Hex Nuts.

Step 8 — Set up Bumpers



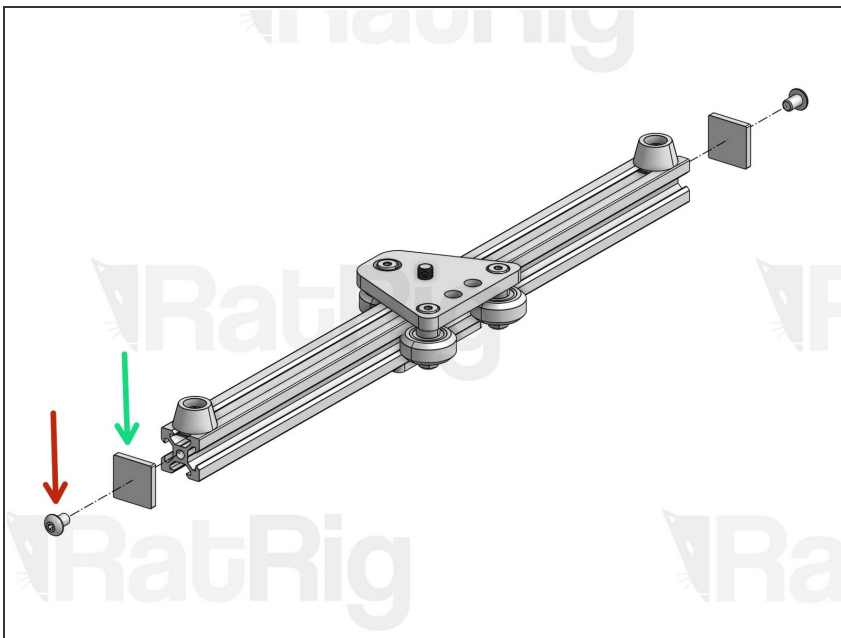
- Button Head Screw M5x8mm.
- Rubber Bumper
- T-Nut M5
- Set T-Nut in position, but don't tighten down.

Step 9 — Slide Bumpers into Rail



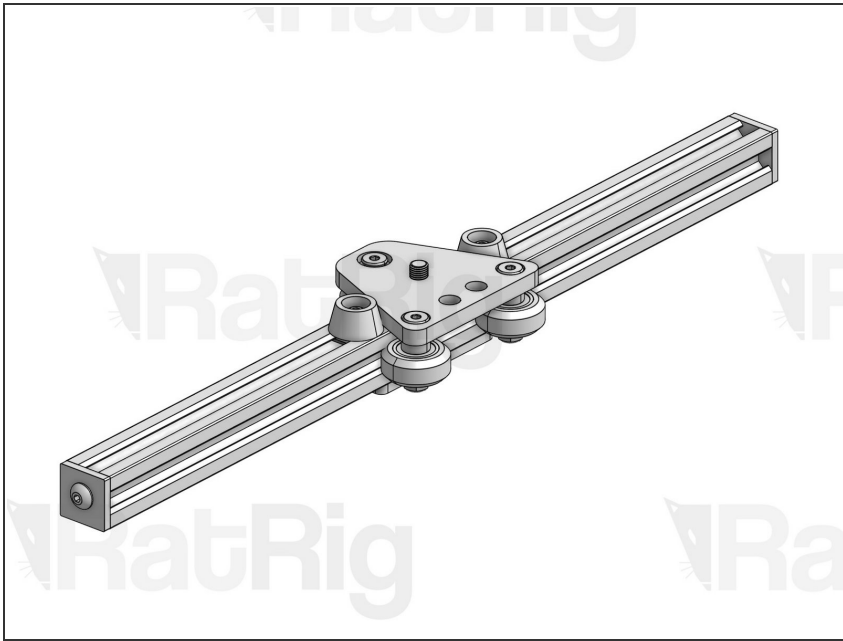
- Slide the bumpers into the rail. Screw them clockwise to lock them in place or anti-clockwise to loosen them and adjust their position in the rail.

Step 10 — Endcaps



- Button Head Screw M5x8mm
- Endcap

Step 11 — Lock the carriage



- Turn the bumpers anti-clockwise to loosen them.
- Move them both towards the center until they press against both sides of the carriage and turn them clockwise to lock them in place.
- The bumpers work as both a brake for your carriage and a range limiter for your slider.

Step 12 — Assemble Leg Kit



- Find instructions to assemble the V-Slider Mini Leg kit [here](#).