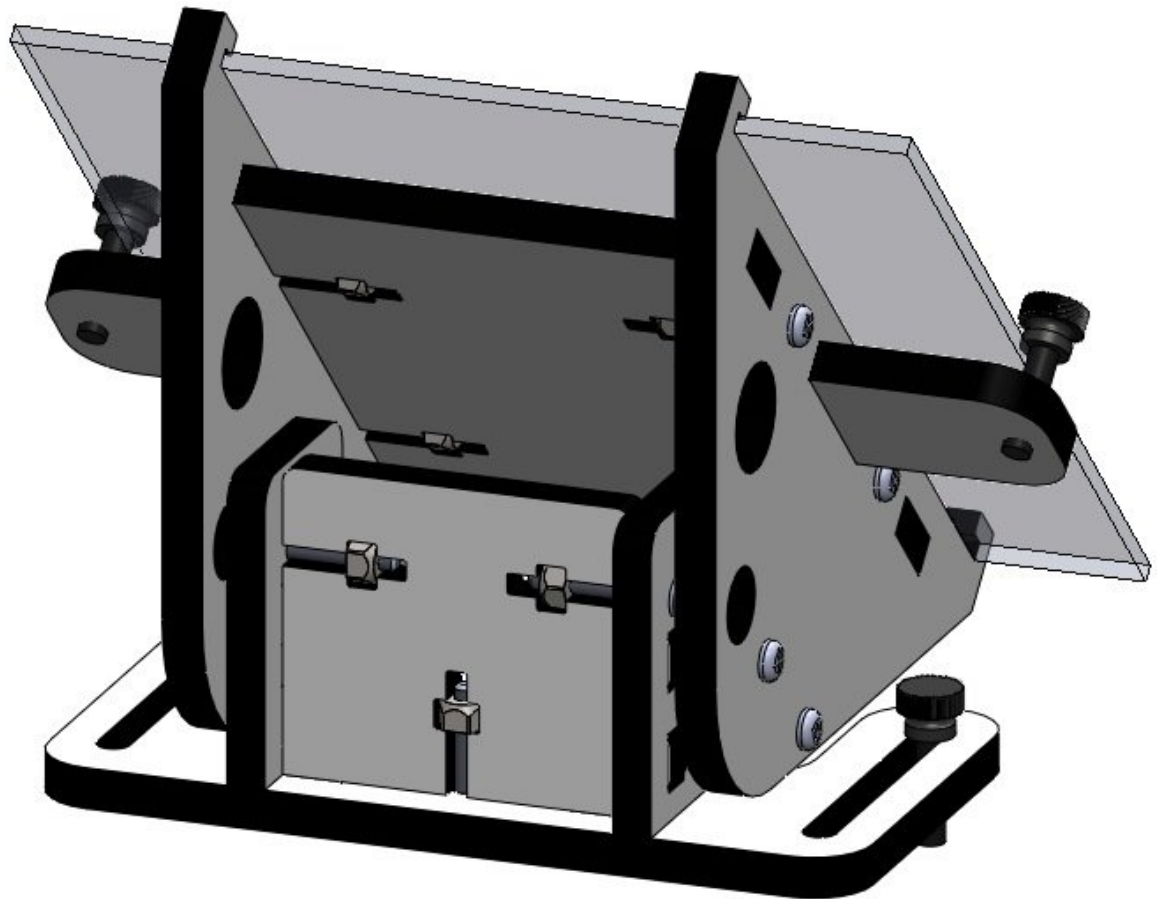


# SeeMeCNC Guides

## Droplit v2 Mirror Mount Sub Assembly

Mirror Mount Sub Assembly. The Mirror Mount Sub-Assembly uses 3 basic pieces of hardware, 6-32 x 1" Flat Head Screws, 6-32 Nylon Lock Nuts, and Acetyl Spacers. For this reason, the hardware will not be called out in the text of the assembly steps.

Written By: SeeMeCNC



## INTRODUCTION

This Assembly Guide will walk you through building the Mirror Mount Sub-Assembly which is used on the DropLit V2.

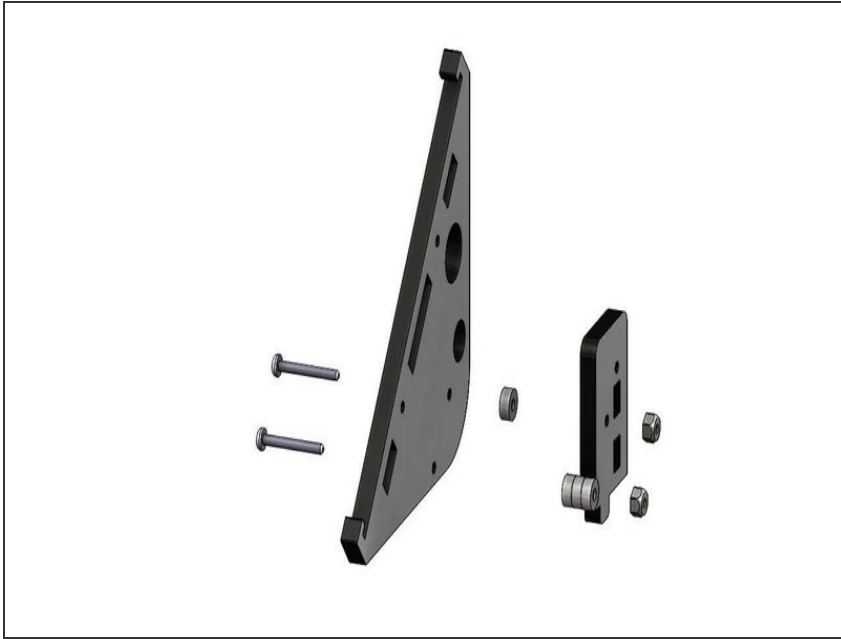
### TOOLS:

- #2 Phillips Screwdriver (1)
- 5/16 Wrench (1)

### PARTS:

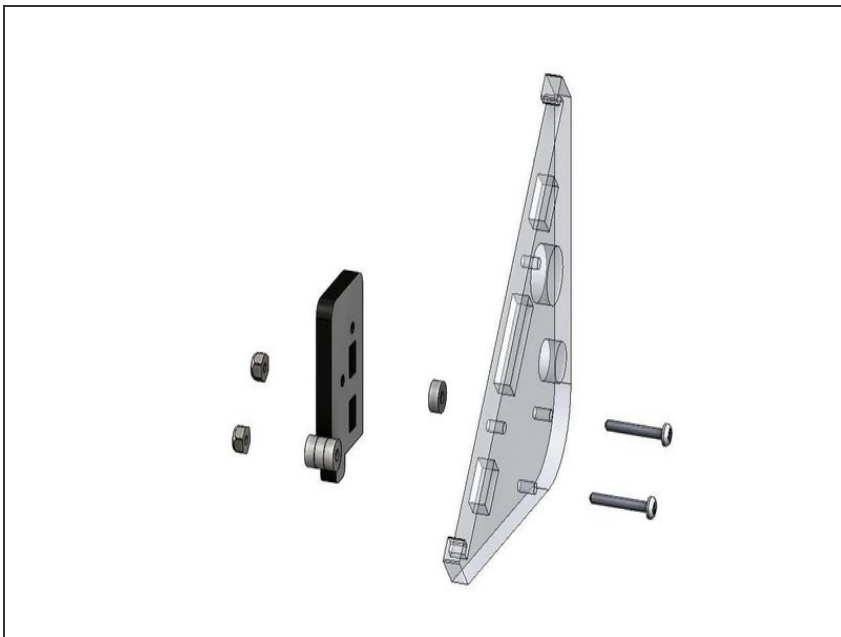
- #6-32 Nylon Lock Nut (1)
- #6-32 x 1.75" Phillips Pan Head Screw (1)

## Step 1 — Left Side



- Attach the Mirror Mount Side to the Mirror Mount as shown in the video, pay particular attention to the part orientation.
- There should be one spacer installed in between the Mirror Mount Side and the Mirror Mount.
- The fasteners should be not be fully tightened. After the Mirror Mount is fully assembled you can tighten these screws up to the point that they are tight, but still allow the mirror to pivot.

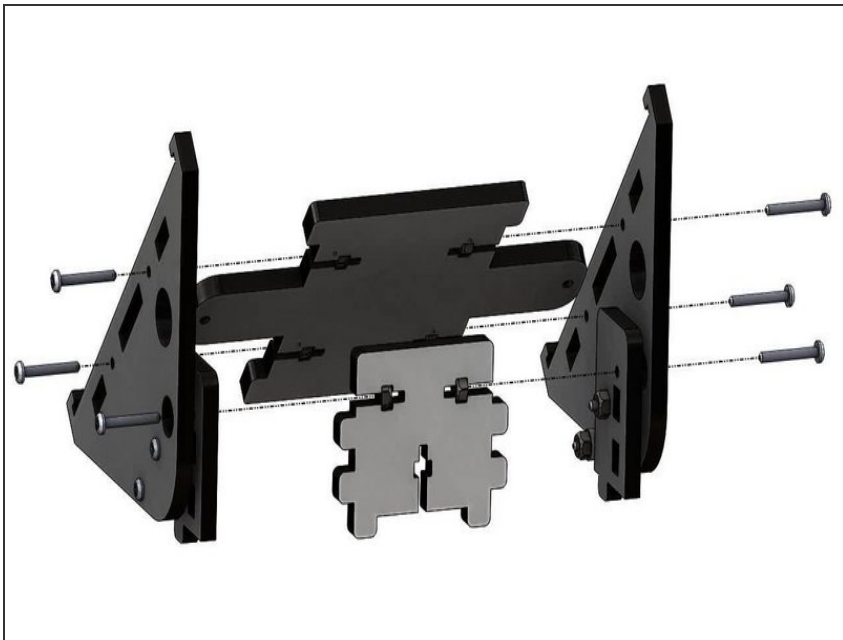
## Step 2 — Right Side



- Attach the Mirror Mount Side to the Mirror Mount as shown in the video, pay particular attention to the part orientation.
- There should be one spacer installed in between the Mirror Mount Side and the Mirror Mount.

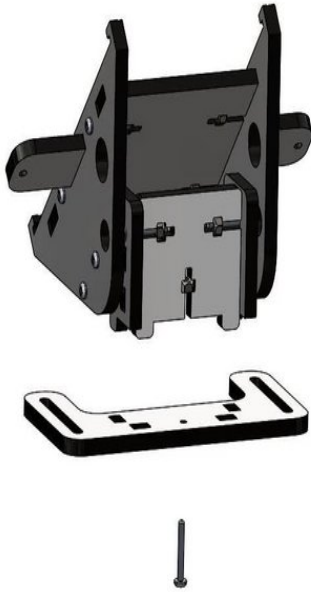
- The fasteners should be not be fully tightened. After the Mirror Mount is fully assembled you can tighten these screws up to the point that they are tight, but still allow the mirror to pivot.

### Step 3 — Attaching Sides to Cross Brace



- Attach the previously assembled Mirror Mount (Left) and (Right) Sides to the Cross Brace and Center Brace as shown in the animation.
- NOTE: You should have tapped the 2 holes in the Cross Brace as part of the Preparing For the Build Steps. If you have not done that yet, please do so now before proceeding.
- NOTE: These pieces are a tight fit. You will need to "walk" the left and right sides onto the cross brace. FURTHER: You will need to install both of the Cross Brace and Center Brace at the same time, otherwise you will only be able to install 1 of the 2 parts.
- Do NOT tighten these screws.

## Step 4



- Use the remaining 6-32 x 1" Phillips Pan Head Screw to attach the base to your current assembly.
- You can now fully tighten all screws in the assembly.
- NOTE: The two screws that act as a pivot point should not be so tight as to prevent the Mirror Mount Assembly top section from pivoting about the bottom section.
- Set the entire sub-assembly and remaining parts from this sub-assembly aside for installation later in the build.

After you have complete the assembly of the Tilt Mirror Mount Sub-Assembly, set this aside. It will be installed in the Droplit V2 at the completion of the build.