



Bottom bracket standards

Explanation of the four BB standards we make BBs for and how to tell if your bike uses one of them.

Written By: The Hive - Jeremy



 **TOOLS:**

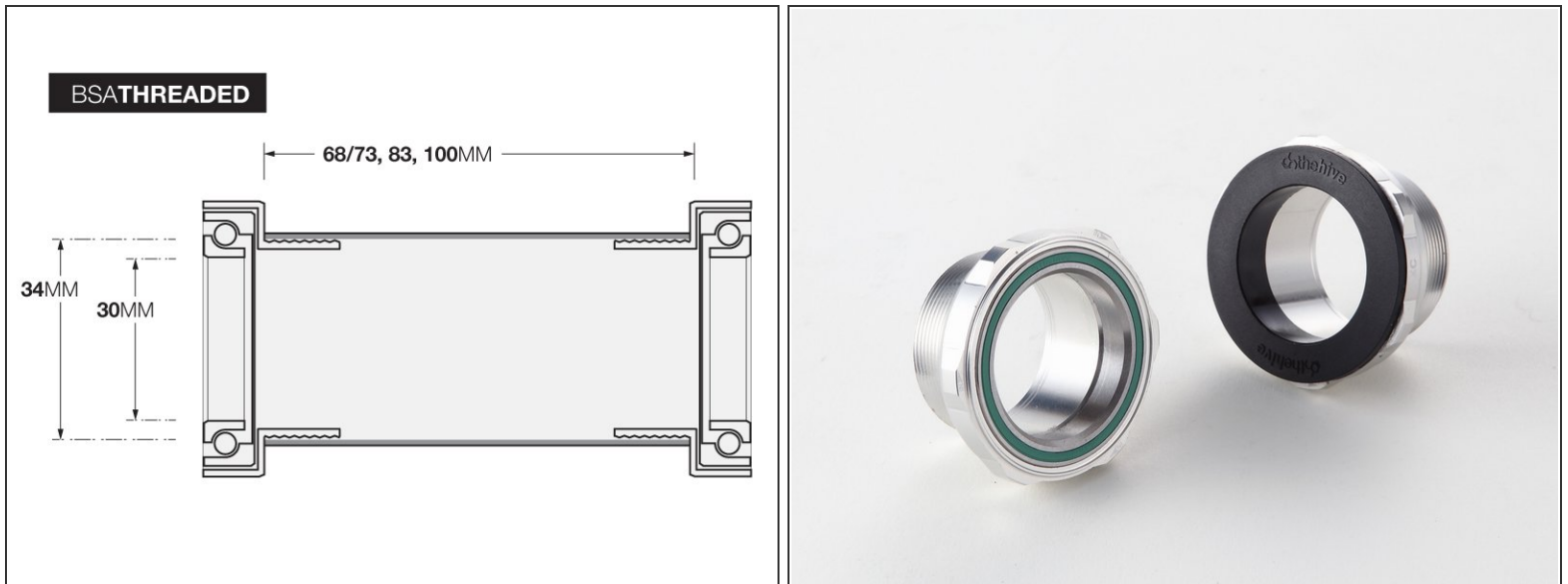
- [Caliper](#) (1)
-

Step 1 — Bottom bracket standards



- e*thirteen cranks utilize a 30mm aluminum spindle to maximize spindle stiffness
- It is important to note that even though our cranks use a 30mm diameter spindle they are not on the BB30 standard and will not drop in to a BB30 frame. Our cranks use a wider spindle that allows them to fit in a variety of frames and as such they require wider bearing seats than BB30 cranks.
- As a result e*thirteen cranks use proprietary bottom brackets in order to accommodate the larger spindle
- We offer our BBs in four different common configurations
- BSA threaded
- PF30
- BB30
- BB89.5/92/107/121/132 (aka pressfit 41mm)

Step 2



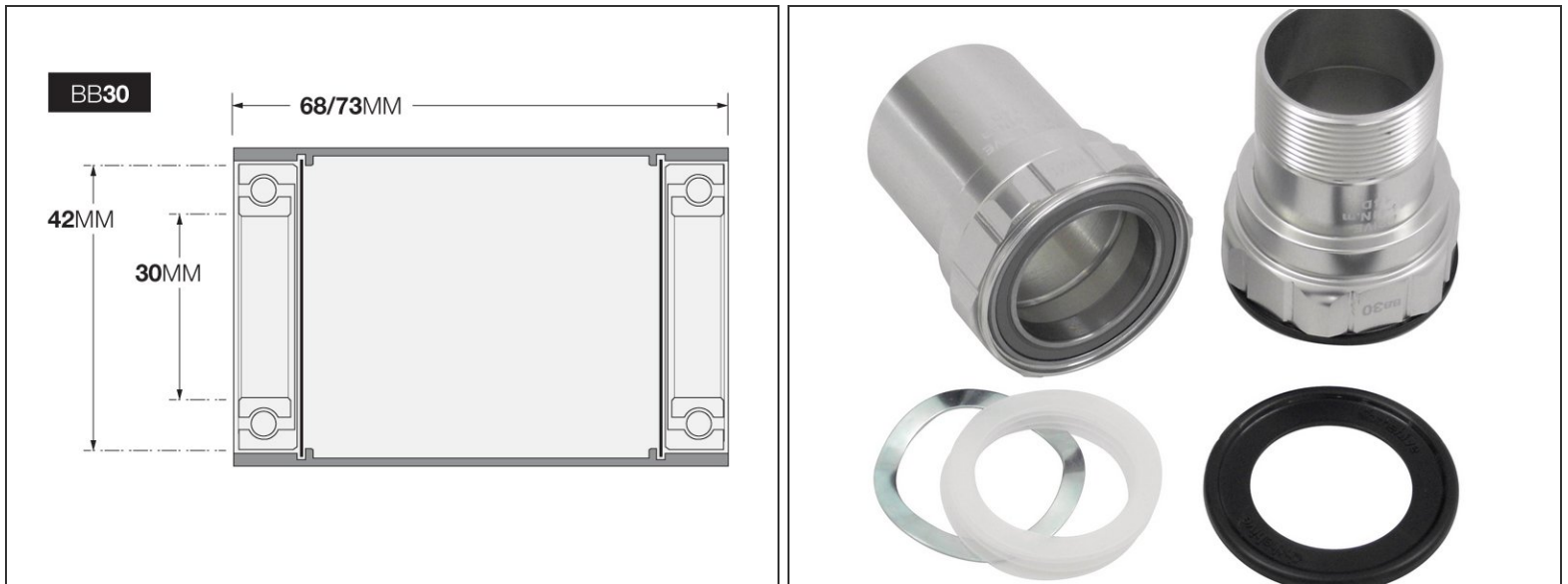
- BSA threaded
- Cups are the same between all BBs, but different sizes are offered that include the proper length center tube
- Spacers are used to accommodate different BB shells and spindles

Step 3



- PF30
- PF30 BBs are for frames with 46mm bores where the BB is designed to press into the frame
- Our PF30 BBs thread together in the center for ease of install and to ensure a tight fit
- As always, double check with you frame manufacturer to make sure your frame is designed around the PF30 standard
- PF30 BBs come with spacers to fit all cranks we make, XCX, TRS and LG1

Step 4



- BB30
- BB30 BBs are for frames with 42mm bores where the BB is designed to have the bearings press directly into the frame
- Our BB30 BBs thread together in the center for ease of install and to ensure a tight fit
- Bearings will sit outside of the BB shell rather than inside in their normal position
- As always, double check with you frame manufacturer to make sure your frame is designed around the BB30 standard
- BB30 BBs come with spacers to fit all cranks we make, XCX, TRS and LG1

Step 5



- BB 89.5/92 (aka 41mm pressfit)
- BB 89.5/92 BBs are for frames with 41mm bores where the BB is designed to press into the frame
- In BB89.5 and BB92 the number following "BB" refers to the shell width, spacers are included to fit multiple widths including 89.5mm, 92mm, 107mm, 121mm, 132mm
- BB89.5/92 require a bearing press for install
- As always, double check with you frame manufacturer to make sure your frame is designed around the BB89.5 or BB92 standard
- BB89.5/92 BBs come with spacers to fit all cranks we make, XCX, TRS and LG1

Thanks for reading, now get out there and ride!