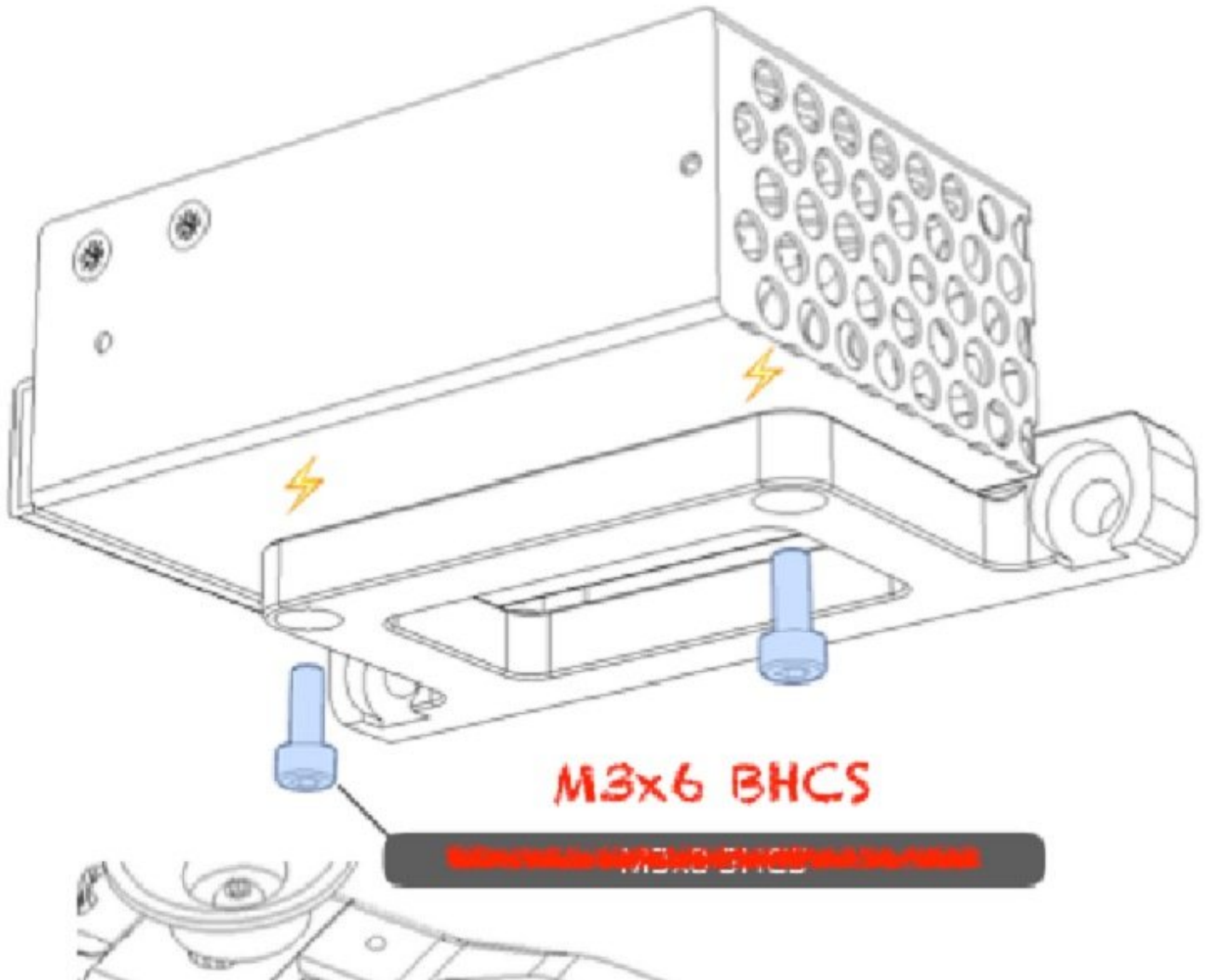


# Voron

## Manual Errata - 5v PSU Update

Written By: ArmyAg08



## Step 1 — Manual Errata - 5v PSU Update



- Use M3x6 BHCS when mounting RS-25-5 PSU. M3x8 may go too far into the PSU body and puncture the insulating sheet, shorting out the main PCB.